

Support and More Resources



SD Card Module Evaluation Kit CY3210-SDCARD Rev A

CY3215-DK Development Kit (Emulator)

For simple programming, a MiniProg is included in the CY3210-SDCARD kit. For full emulation you can attach an ICE-Cube to the PsoCEval1 board. (The ICE-Cube is available in the CY3215-DK.)



ICE-Cube
(available in CY3215-DK)

The CY3215-DK Development Kit also includes an emulation POD for CY8C29XXX devices.

Powering the Board (9-12V)

The PsoCEval1 board can be powered by any of the following methods:

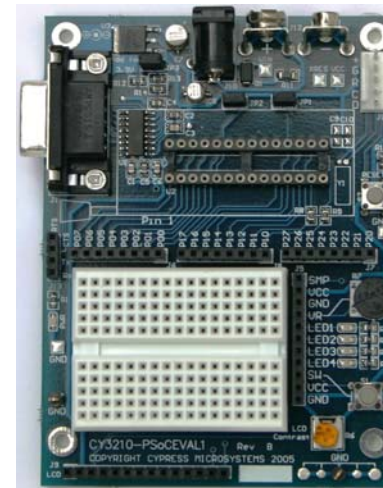
1. Included 12V power supply.
2. PSoC ICE-Cube: not to exceed 100 mA (3.3V only).
3. 9V battery.

WARNING: JUMPER JP3 MUST BE INSTALLED TO PROVIDE ONLY 3.3V TO THE SD CARD ADAPTER. FAILING TO INSTALL THIS JUMPER WILL LIKELY DAMAGE THE SD CARD.

Quick Start

1. Verify Kit Contents
2. Install PSoC™ Designer
3. Install PSoC Programmer
4. Assemble Evaluation Board
5. Run Example Project

Step 1: Verify Kit Contents



PSoCEval1 Board

Kit Contents

- CY3210-PSoCEVAL1 Rev B Board
- SD Card Adapter Board
- Secure Digital (SD) Memory Card
- USB to SD Card Reader
- MiniProg1
- USB Cable
- 12V Power Supply (not pictured)
- One 28-Pin DIP Sample (CY8C29466-24PX1) ** (not pictured)
- PSoC Designer and Programmer CD
- Cypress Support Card
- Example Projects

** Only parts in the CY8C29xxx family are currently supported with the SDCard User Module



USB Cable



**MiniProg
Programming
Unit**



PSoC Designer CD-ROM



**SD Card
Adapter**



**SD Card
Reader**



**Secure Digital
Card**

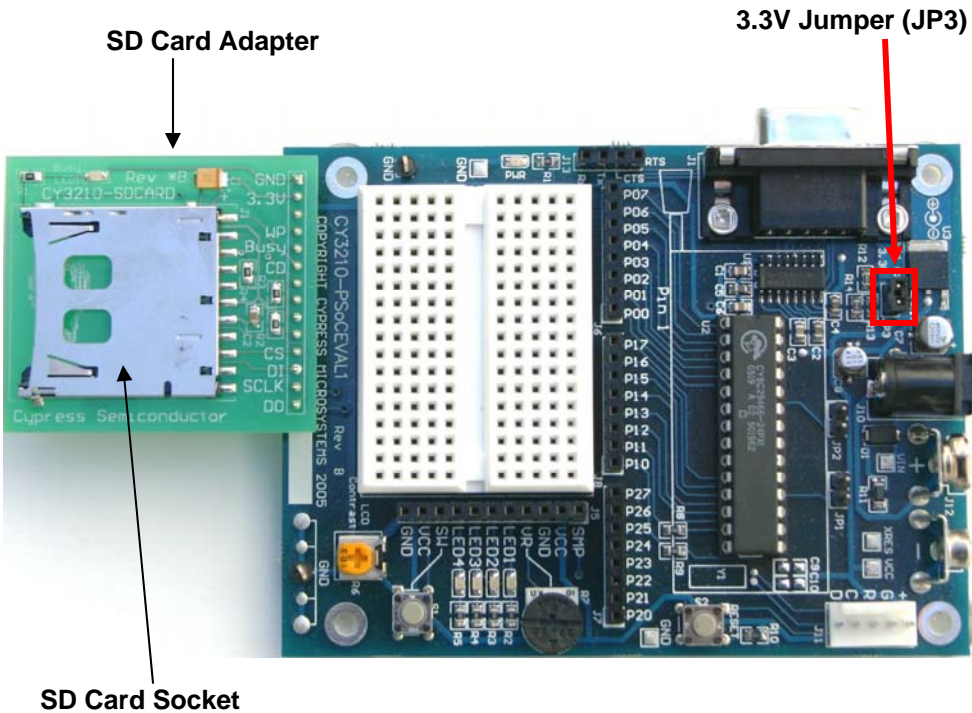


Step 2 & 3: Install Software

Install PSoC Designer and then PSoC Programmer from the included CD-ROM. For assistance refer to *PSoC Designer: Integrated Development Environment User Guide*, available on the CD-ROM.

Download the latest version and updates of PSoC Designer and PSoC Programmer at www.cypress.com/psoc (Design Resources >> Software & Drivers).

Step 4: Assemble Evaluation Board

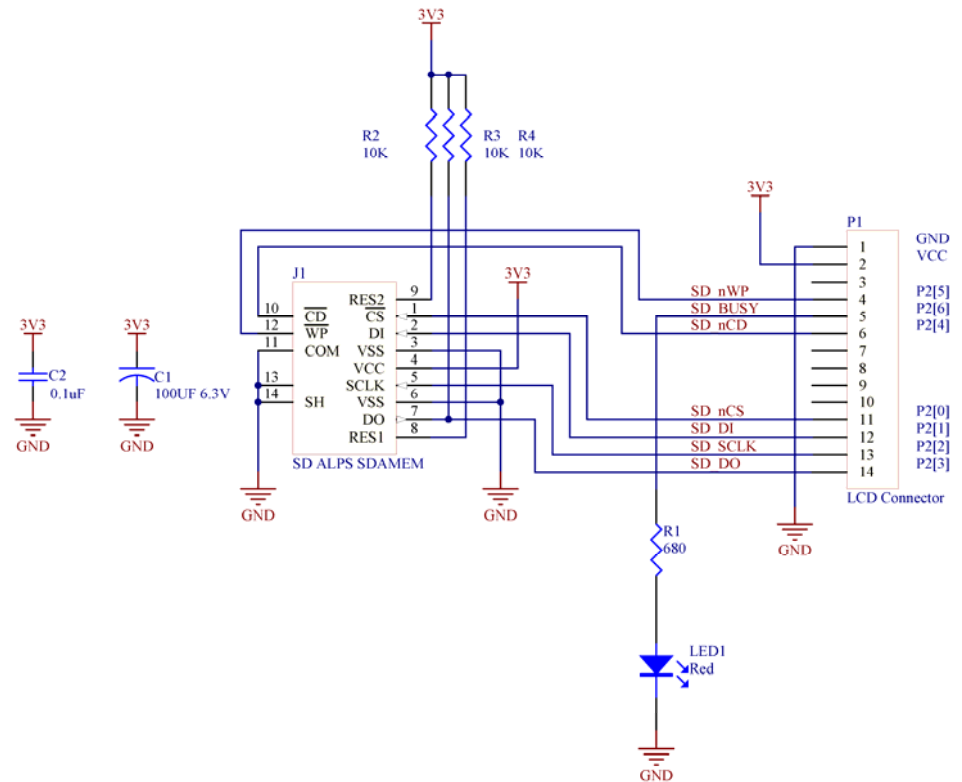


Step 5: Run Example Project

Example projects can be run from PSoC Designer under File>Open Project

C:\ProgramFiles\CypressMicroSystems\PSoCDesigner\Examples\SDCard. These example projects are also available at www.cypress.com/psocexampleprojects. Read any readme.txt files associated with the example and run the ".soc" file in PSoC Designer.

CY3210-SDCARD Adapter Schematic



Jumpers:

JP3 – **MUST BE INSTALLED FOR 3.3V OPERATION OF THE SD CARD ADAPTER.**